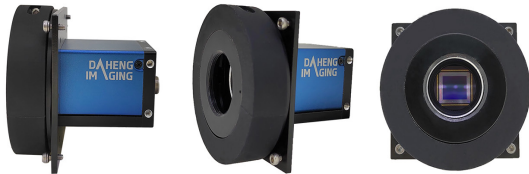


# MERCURY2 PRO SERIES

## ME2P-1230-9GM/C-P-HF8



- Tilt-Shift Camera (horizontal)
- Scheimpflug angle adjusting mechanism
- 1.1" global shutter CMOS sensor
- 12.3 Megapixels
- High definition, high quality image
- Multiple functions
- Power over Ethernet (PoE)

The MERCURY2 PRO PoE series (ME2P-G-P) camera is DAHENG IMAGING's high definition industrial digital camera, featuring outstanding performance, high quality image, multiple functions and flexible installation.

ME2P-1230-9GM/C-P-HF8 is a monochrome/color Tilt-Shift Camera with the Sony IMX304 CMOS sensor. When the object is not parallel to the sensor, the horizontal angle between lens and sensor plane can be adjusted from 0 to 8 degree to increase the depth of field. Four-side mounting holes provide maximum installation flexibility for ME2P-G-P, the MERCURY2 PRO PoE series cameras can secure the reliability of cameras deployed in harsh environments.

Featuring compact design, outstanding performance, ease of installation and use, the MERCURY2 PRO cameras are especially suitable for machine vision applications such as industrial inspection, medical, scientific research, education, security and so on.

### Features

- The horizontal angle between lens and sensor plane can be adjusted from 0 to 8 degree
- Power over Ethernet (IEEE802.3af compliant)
- Programmable ROI, increased frame rate with partial scan
- Gain, exposure and white balance programmable (white balance only for color models)
- Support auto gain, auto exposure and auto white balance (auto white balance only for color models)
- Three acquisition controls: Continuous acquisition/Software trigger acquisition/External trigger acquisition
- 12-bit or 8-bit Mono/Bayer output
- Support LUTs and storable user sets
- Support ExposureEnd Event notification
- Adjustable packet-size and packet-delay, and reserved bandwidth
- Two exposure time modes: standard exposure time mode / minimal exposure time mode
- Robust full metal housing and optional lockable devices
- Long cable lengths: up to 100 m (without any hubs, repeaters etc.)
- Compatible with GeniCam™ and GigE Vision®, can be used in a wide range of 3rd-party software such as HALCON, MERLIC and LabVIEW directly
- Optimized software package for 32/64bit Windows, and support Linux, ARMv7, ARMv8 and Mac OS
- Multiple samples and easy-to-integrate SDKs for various programming tools
- Regulations: CE, RoHS, GeniCam, GigE Vision, IEEE802.3af (PoE)

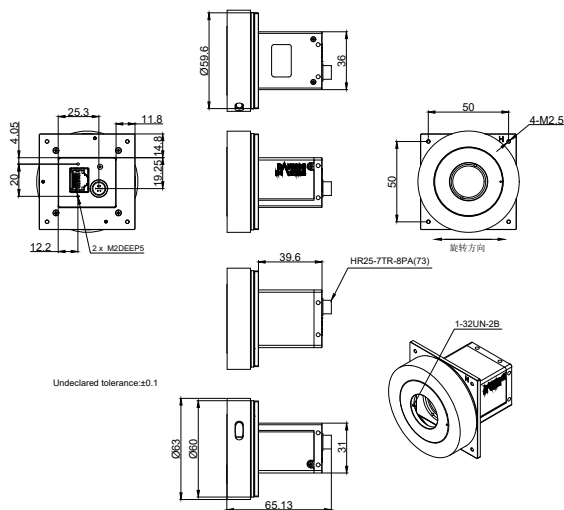
## Performance Specifications

Model	ME2P-1230-9GM/C-P-HF8
Interface	GigE
Resolution	4096(H) × 3000(V)
Frame rate	9 fps
Sensor	1.1", global shutter Sony IMX304 CMOS
Pixel size	3.45 μm × 3.45 μm
Pixel Bit Depth	8bit, 12bit
Spectrum	Monochrome / Color
Exposure time	36μs ~ 1s
Minimal exposure time	1us~100us

## Mechanical Specifications

Weight	152g
Dimensions	63(W)x63(H)x65.13(L) mm

## Technical Drawing



Units: mm

## Electrical Specifications

Power requirement	12~24 VDC via 8-Pin or PoE
I/Os	1 input / 1 output, 2 GPIOs
Data interface	RJ45 with locked
Power consumption	<3W @24VDC; <3.75W @PoE

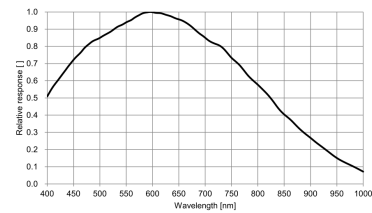
## Environmental Specifications

Operating temp.	0°C ~ +45°C
Storage temp.	-20°C ~ +70°C
Operating humidity	10% ~ 80%

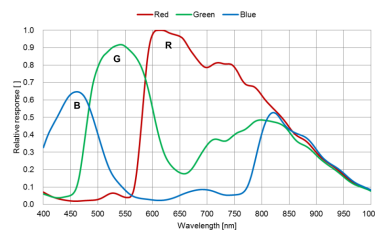
## Optical Specifications

Lens mount	C-Mount (standard), CS-Mount (optional)
------------	---

## Spectral Response



ME2P-1230-9GM-P-HF8



ME2P-1230-9GC-P-HF8

China Daheng Group, Inc. Beijing Image Vision Technology Branch

12F Daheng Science & Technology Tower, No.3 Suzhou Street, Haidian District,

Beijing China, 100080

Tel: +86 10 82828878

E-mail: isales@daheng-imaging.com

For more information please visit : [www.daheng-imaging.com/en](http://www.daheng-imaging.com/en)

Specifications are subject to change without prior notice.

Copyright © 2021 China Daheng Group, Inc. Beijing Image Vision Technology Branch. All rights reserved.

September 28, 2021